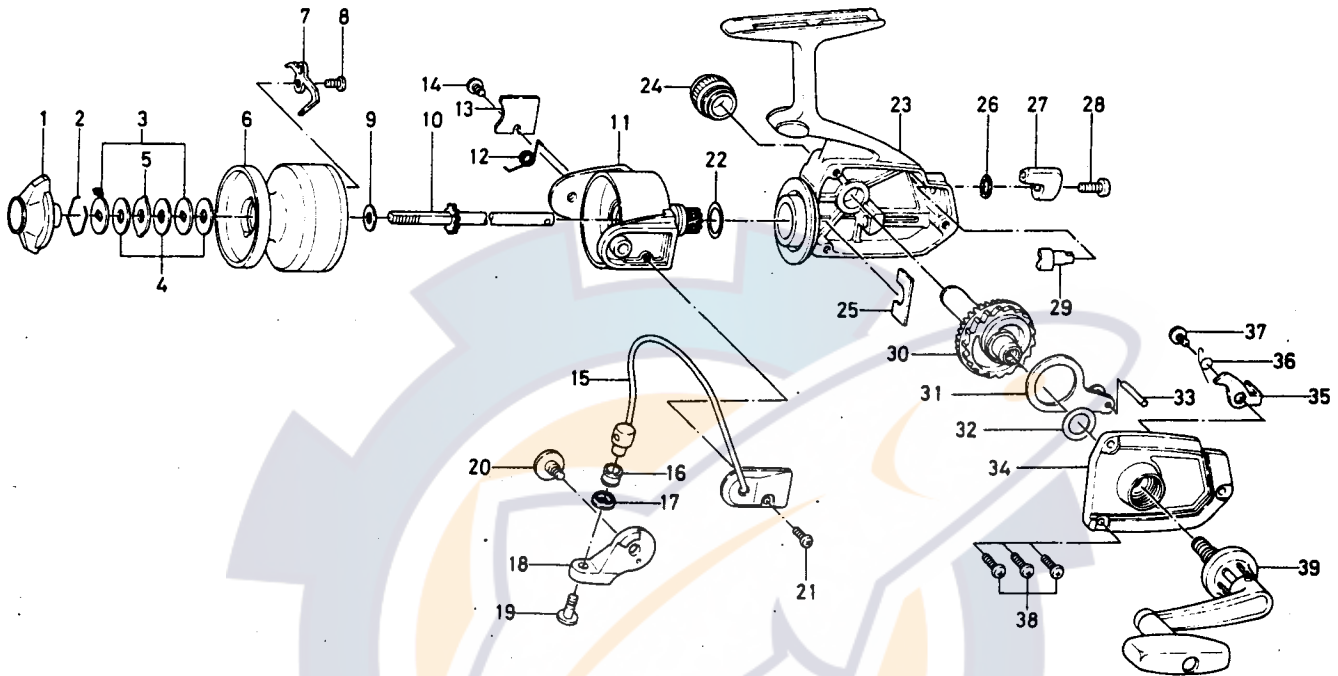


SPINNING REEL **A-100RL**



**KEY NO. 2 ~ 8**  
**6-734-0701**

**SPOOL ASSEMBLY**

Key No.	Parts No.	Parts Name
1	6-740-2304	Drag knob
2	6-170-7701	Drag washer retainer
3	6-374-9802	Drag D washer
4	6-374-3602	Disc washer
5	6-374-3802	Drag A washer
6	6-734-0801	Spool
7	6-030-4511	Spool click claw
8	6-350-1931	Spool click claw screw
9	6-372-3500	Spool washer
10	6-711-5001	Main shaft
11	6-736-7501	Rotor
12	6-145-1801	Bail spring
13	6-040-5001	Bail spring cover
14	6-351-1801	Bail spring cover screw
15	6-725-5911	Bail
16	6-250-3921	Line roller
17	6-501-1401	Roller collar
18	6-231-1501	Arm lever
19	6-353-1811	Bail screw
20	6-363-2201	Arm lever screw

Key No.	Parts No.	Parts Name
21	6-351-1001	Bail holder screw
22	6-372-8600	Rotor washer
23	6-701-5201	Body
24	6-363-7401	Handle screw cap
25	6-632-6601	Pinion retainer
26	6-150-1751	Anti-reverse lever washer
27	6-541-6901	Anti-reverse lever
28	6-351-8301	Anti-reverse lever screw
29	6-461-7701	Anti-reverse cam
30	6-414-1701	Drive gear
31	6-481-2901	Oscillating slider
32	6-371-2800	Drive gear washer
33	6-121-1211	Oscillating slider pin
34	6-707-0401	Body cover
35	6-111-4501	Anti-reverse claw
36	6-144-8211	Anti-reverse claw spring
37	6-351-7701	Anti-reverse claw screw
38	6-351-8501	Body cover screw
39	6-747-7801	Handle